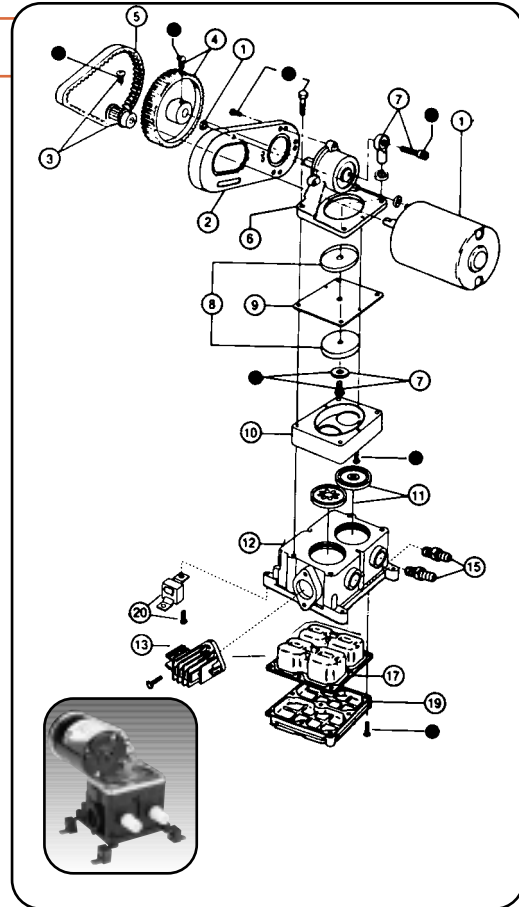


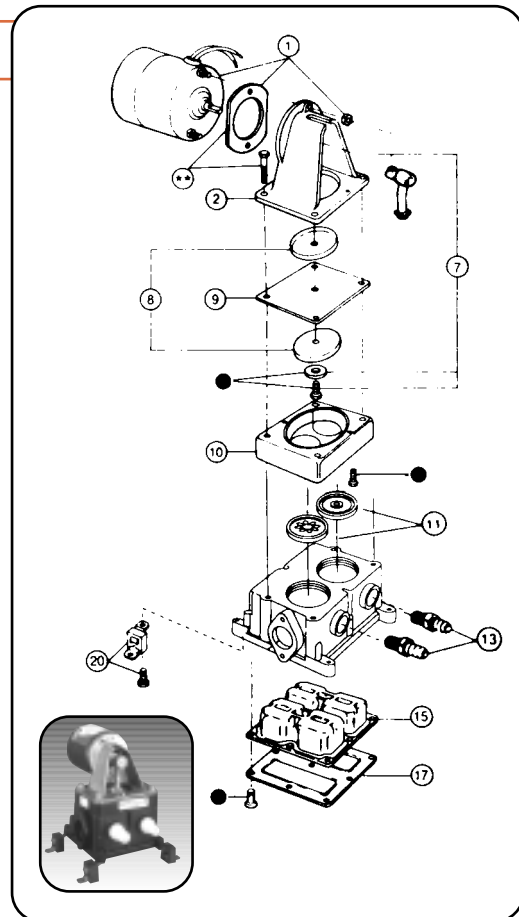
## 36680 Series (was 6680J) Bilge Pump

Key	Description	Part No	Qty	Series	
				1000	2000
1	Motor Kit 12 Vdc	30200-0000	1	X	X
	24 Vdc	30200-0010			
2	Motor Mount	34628-0000	1	X	X
3	Small Pulley	37169-0000	1	X	X
4	Large Pulley (with key way)	37171-0001	1	X	X
5	Belt	30022-0000 *	1	X	X
6	Jack Shaft Assembly	35690-0002	1	X	X
7	Connecting Rod Assembly	37173-0001	1	X	X
8	Diaphragm Plate	35212-0000	2	X	X
9	Diaphragm	30016-0000 *	1	X	X
10	Retainer	35173-0000	1	X	X
11	Valve Set (Inlet and Outlet)	30003-0000 *	† 1 set	X	X
		44114-1000			
12	Base assembly (See†)	35620-0000	† 1	X	
		44114-1000			
13	Ports (Inlet and Outlet)	37175-0000	† 1	X	X
15	Pulsation Dampener	37178-0000	† 1	X	
		44127-1000			
17	Bottom Plate	35685-0000	† 1	X	X
20	Vibration Pad Kit	37180-0000	† 1 set	X	
		43990-0058			
21	Hardware Kit	37166-0001	1 set	X	
		43990-0071			
	Service Kit (See*)	30125-0000 *		X	
		43990-0062 *			



## 36960 Series (was 6960J) Bilge Pump

Key	Description	Part No	Qty	Series	
				1000	2000
1	Motor Kit 12 Vdc	30202-0000	1	X	X
	24 Vdc	30201-0010			
2	Motor Mount	35487-0000	1	X	X
7	Connecting Rod Assembly	30040-0000 *	1	X	X
8	Diaphragm Plate	35688-0000	2	X	X
9	Diaphragm	30015-0000 *	1	X	X
10	Retainer	35455-0000	1	X	X
11	Valve Set (Inlet and Outlet)	30003-0000 *	† 1 set	X	X
		44114-1000			
12	Base assembly (See†)	35620-0000	† 1	X	
		44114-1000			
13	Ports (Inlet and Outlet)	37175-0000	† 1	X	X
15	Pulsation Dampener	37178-0000	† 1	X	
		44127-1000			
17	Bottom Plate	35686-0000	† 1	X	X
20	Vibration Pad Kit	37180-0000	† 1 set	X	
		44990-0058			
21	Hardware Kit	37166-0000	1 set	X	
		43990-0060			
	Service Kit (See*)	30120-0000 *		X	
		43990-0063 *			



Traditional  
PAR Pumps

# Service Parts -