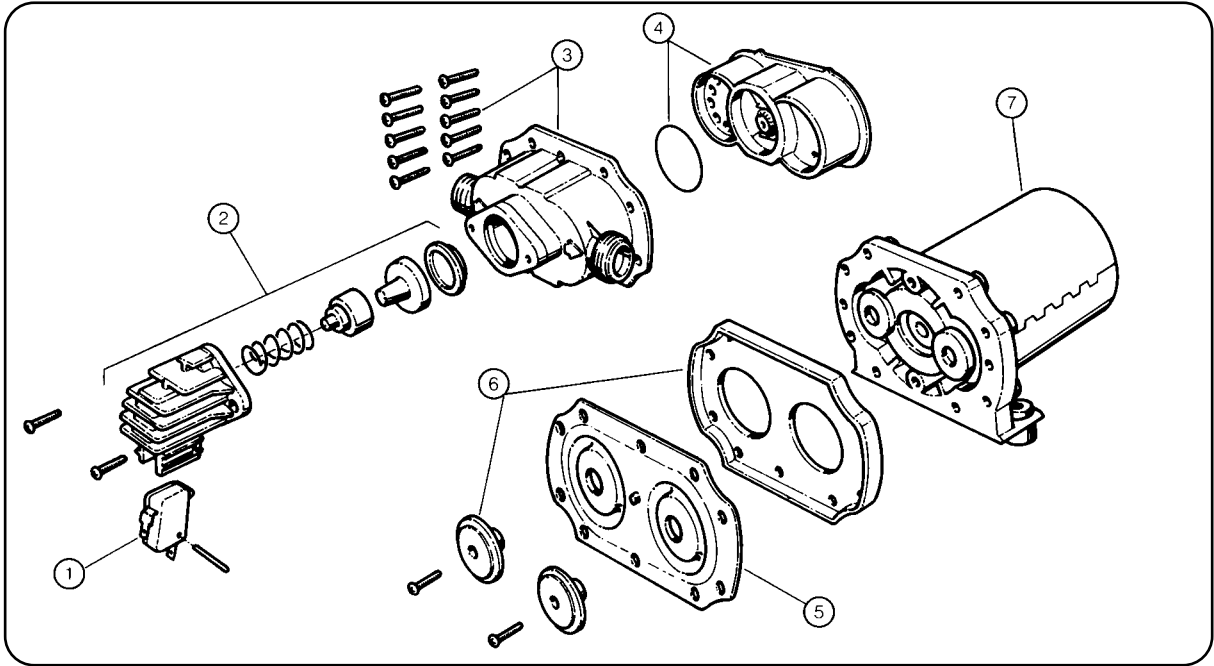


# Service Parts -

## 44010 and 44020 Series PAR-Mate Pump

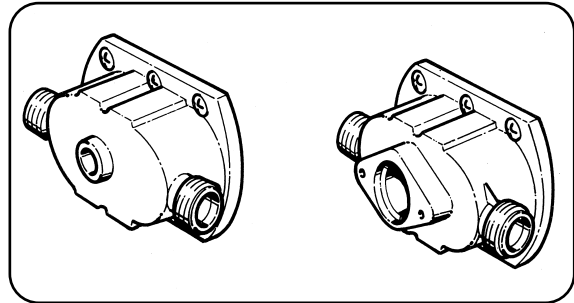


Key	Description	Qty	Part No
1	Micro Switch	1	18753-0141
2	High Pressure Switch	1	37121-0010*
	Low Pressure Switch	1	44814-1000*
3	Body Kit	1	44013-2000
4	Valve Kit	1	44038-1000
5	Diaphragm Kit	1	44017-2000
6	Plate/Piston Kit	1	44032-2000
7	Motor Kit 12 Vdc	1	44043-2012
	Motor Kit 24 Vdc	1	44043-2024

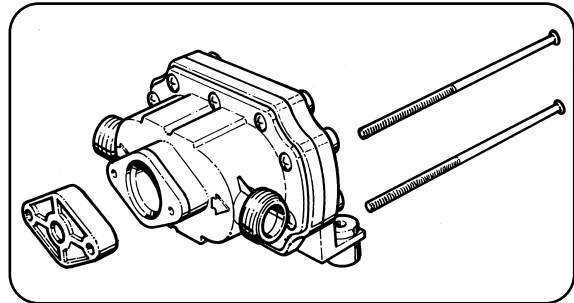
\* Note: Models 44010-2010 and 44010-2011 use low pressure switches. Model 44010-2000 uses high pressure switch.

**NOTE:**

Customers requiring pump bodies for previous models (PAR Mate -0XXX series with grey bodies) should order 44013-1001 Pump Head Upgrade Kit which will allow old pumps to be upgraded to the later design. This kit contains all items except motor and pressure switch.



Obsolete Pump Head Styles



44013-1001 Pump Head Upgrade Kit

